



## RZ-0 egg breaker

## Description

**Capacity:** 2020 eggs/hour

**Replaces:** 3 people

**Power supply:** 0.5 kW 230 V 1/N/PE 50/60 Hz  
0.5 kW 110 V 1/N/PE 50/60 Hz

**Dimensions:** 1159x908x1205 mm

**Minimal workspace:** 2200x2500 mm

**Compressed air:** 6-8 bar minimal flow 260 l/min.

**Weight:** 105 kg

**Water:** n/a

**Operated by:** 1 person

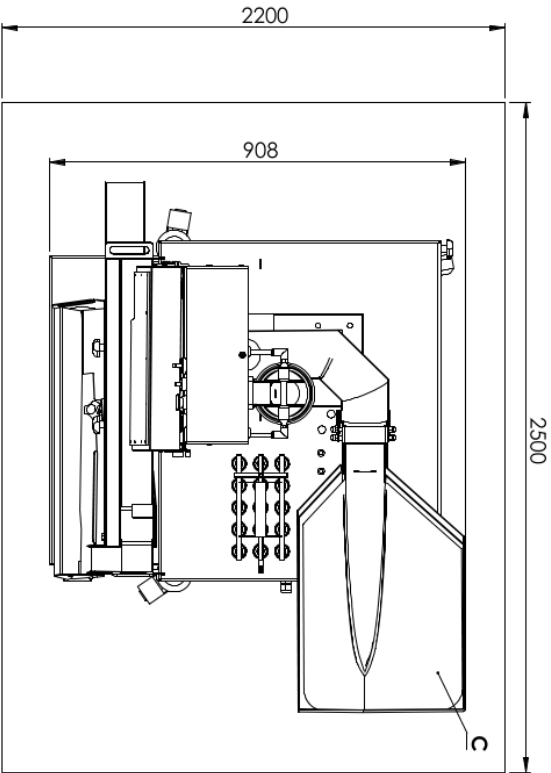
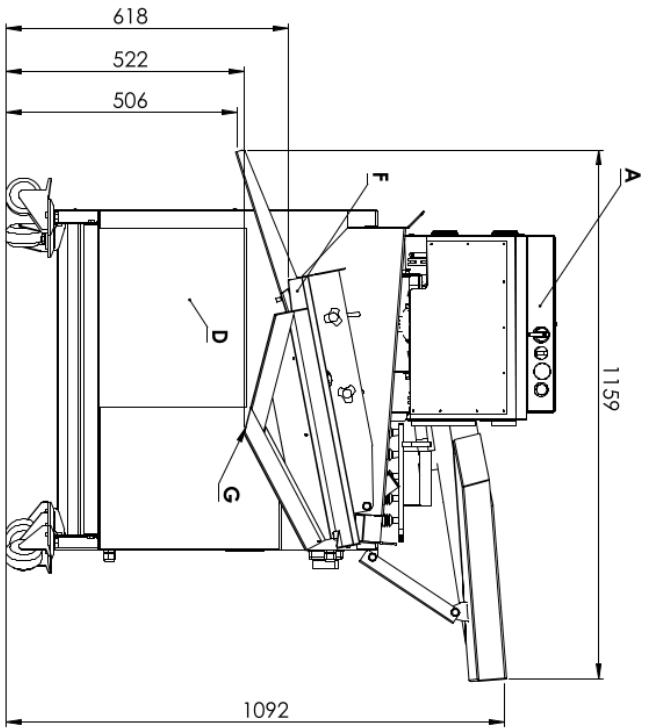
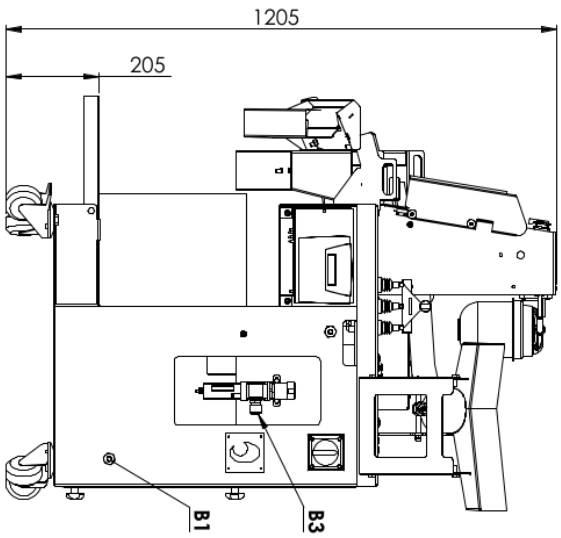
**Drain:** n/a

**Compatibility:** ESS

The egg breaker imitates the work of human hands with the use of special pneumatic suction cups. The cups grab the eggs whose shells are then cracked by a specially designed knife. Next, the machine's arms pull the eggshells apart and the cracked eggs slide onto a separator, where yolks are separated from egg whites. This most hygienic egg breaking method is an innovation by OVO-TECH. Due to its compact size and cracking hygiene, the RZ-0 finds its applications in both, food and pharmaceutical industries. The machine is made out of stainless steel EN 1.4301 (AISI 304).



DATE  
05.01.2021  
PROJECT  
DOK-LAY-EN-0.1.1  
AUTHOR  
ML



**RZ-0 egg breaker**

<b>Typical workplaces:</b>	egg breaking facilities, bakeries, confectioneries, pasta making companies
<b>Capacity:</b>	2020 eggs/hour
<b>Power supply:</b>	0.5 kW 230 V 1~/V/PE 50/60 Hz 0.5 kW 110 V 1~/V/PE 50/60 Hz
<b>Water connection:</b>	N/A
<b>Compressed air connection:</b>	6-8 bar, minimal flow 260 liters/hour
<b>Minimal workspace:</b>	2200 x 2500
<b>Dimensions:</b>	908 x 1159 x 1205 mm
<b>Operated by:</b>	1 person
<b>Minimal wall clearance:</b>	the rear side - 600 mm
<b>Additional information:</b>	N/A
<b>A</b>	control panel
<b>B1/B2/B3</b>	connection: electrical/water/air
<b>C</b>	eggs input
<b>E</b>	eggs/whites outlet
<b>F</b>	egg yolks outlet
<b>G</b>	egg white outlet



All rights reserved  
The design and the drawings  
is the sole property of OVO-TECH.  
Any use of this product, including  
reproduction, is strictly prohibited  
without O's written permission & strictly  
prohibited.