



RZ-1 egg breaker

Description

The egg breaker imitates the work of human hands by cracking the eggshells with the use of special knives. Next, the cracked eggs slide down a separator, where yolks are separated from egg whites. This most hygienic egg breaking method is an innovation by OVO-TECH. The machine is made out of stainless steel EN 1.4301 (AISI 304).

Capacity: 3200 eggs/hour

Replaces: 7 people

Power supply: 0.5 kW 230 V 1/N/PE 50/60 Hz
0.5 kW 110 V 1/N/PE 50/60 Hz

Dimensions: 1466x740x1121 mm

Minimal workspace: 2500x2000 mm

Compressed air: n/a

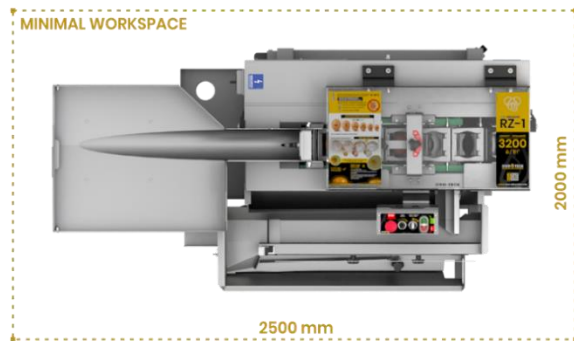
Weight: 135 kg

Water: n/a

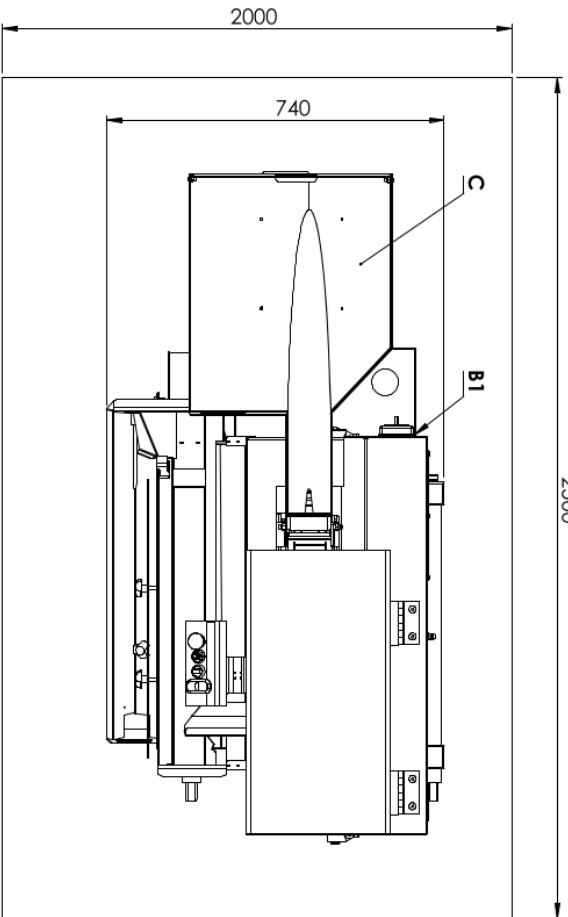
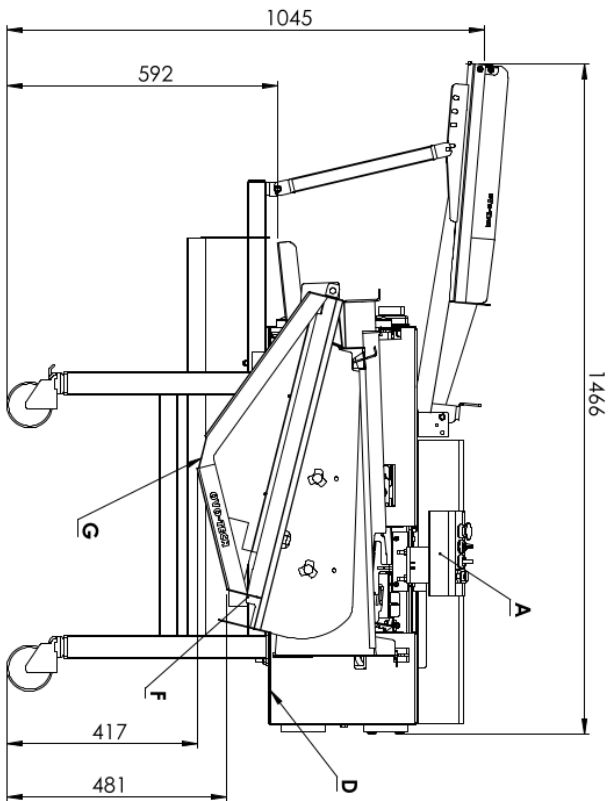
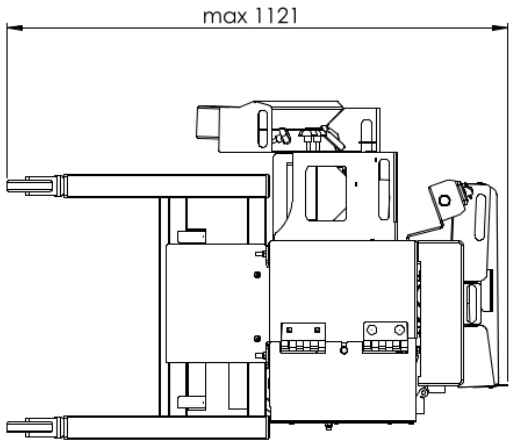
Operated by: 1 person

Drain: n/a

Compatibility: VEL-30, MT-1, UVC-1, ESS, UZS



DATE	05.01.2021	AUTHOR	ML
PROJECT	DOK-LAY-EN.D.2.1		



RZ-1 egg breaker

Typical workplaces:	egg breaking facilities, bakeries, confectioneries, pasta making companies
Capacity:	3200 eggs/hour
Power supply:	0.5 kW 230 V 1/N/PE 50/60 Hz 0.5 kW 110 V 1/N/PE 50/60 Hz
Water connection:	N/A
Compressed air connection:	N/A
Minimal workspace:	2500 x 2000 mm
Dimensions:	1466 x 740 x 1121 mm
Operated by:	1 person
Minimal wall clearance:	the rear side - 600 mm
Additional information:	N/A
A	control panel
B1/B2/B3	connection: electrical/water/air
C	eggs input
D	eggs/whites outlet
E	eggs/yolks outlet
F	egg yolks outlet
G	egg white outlet



All rights reserved
 The use of this product, including its design, is the sole property of OVO-TECH.
 Any use of this product, including its design, without O's written permission is strictly prohibited.